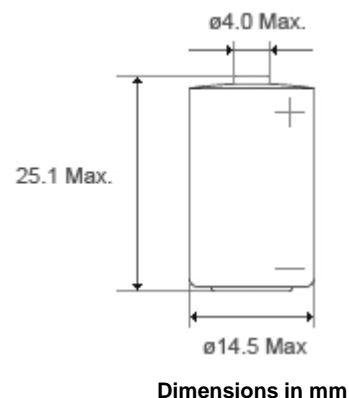


SPECIFICATIONS (Typical values stored at 20°C for one year)

▪ Nominal capacity (at 0.6mA/85°C/185°F/2.0V cut-off)	0.8Ah
▪ Nominal voltage	3.6V
▪ Max. recommended continuous current	10mA
▪ Operating temperature range	-55 ~+130°C (Max. 150°C)
▪ Lithium metal content	approx. 0.3g
▪ Weight	9g
▪ Volume	4.3cm³
▪ UL Approval	MH28122



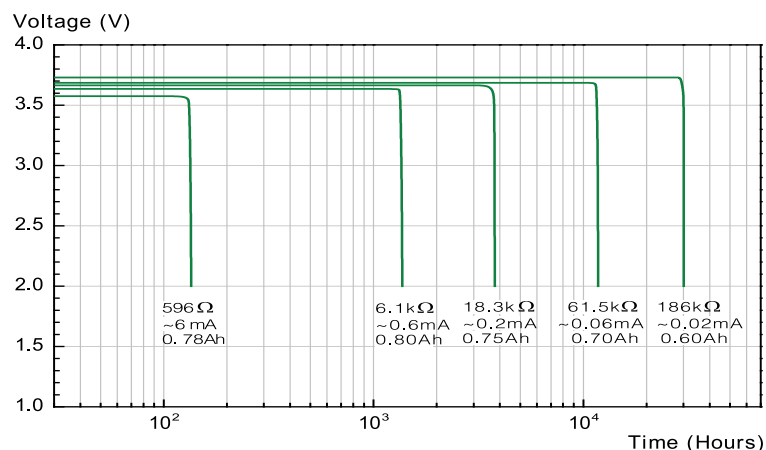
Available Terminal Type

STD, T1, T2, T3, T3/R, T3EU, T3EU/R, AX

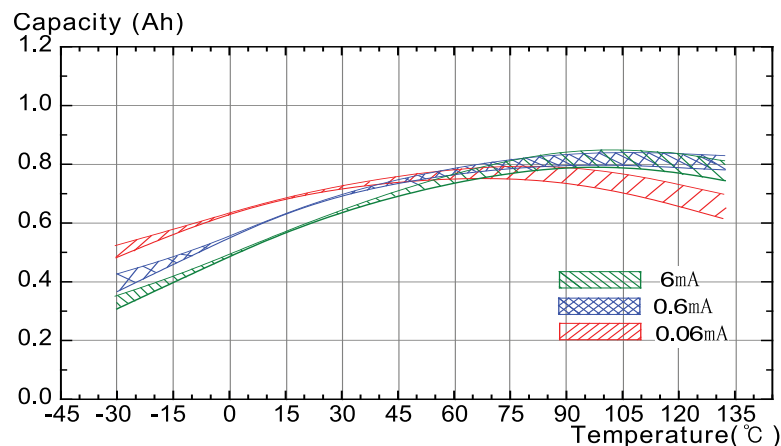
Storage Condition

Please store batteries at clean, cool (not over +30°C), dried (less than 30% RH) and ventilated condition

Discharge Characteristics at +85°C



Capacity versus Current



Operating Voltage

